



# CHIMNEY SYSTEMS AND ACCESSORIES



**PRICE LIST  
2021**



## Address



**KOMINUS POLSKA Sp. z o.o.**  
Łęzkowice 112, 32-015 Kłaj, Poland  
tel.: +48 12 284 27 73  
tel./fax: +48 12 284 45 44

**Production facility**  
Łęzkowice



**Production facility**  
Nowy Wiśnicz



## Contact person

*Katarzyna Bojarczuk*  
Export Manager

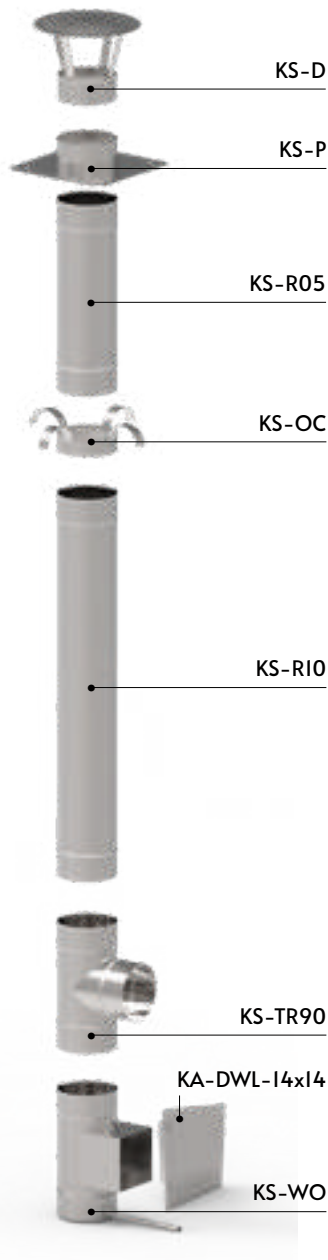
Tel.: +48 694 458 674



## SYSTEM KOMINUS KS

### System of stainless steel single-wall chimney liner

#### TYPICAL CHIMNEY CONSTRUCTION



Diameter	130	140	150	160	180	200	225	250	300
Number of length-elements R10	EUR / set								
4xR10	309	320	331	345	376	402	433	467	534
5xR10	342	355	368	384	419	449	486	525	602
6xR10	375	390	405	423	462	496	539	583	670
7xR10	408	425	442	462	505	543	592	641	738
8xR10	441	460	479	501	548	590	645	699	806
9xR10	484	505	526	550	602	648	710	770	888
10xR10	517	540	563	589	645	695	763	828	956
11xR10	550	575	600	628	688	742	816	886	1024
12xR10	593	620	647	677	742	800	881	957	1106
Calculation without elements R10	167	170	173	179	193	203	209	222	248

Diameter	130	140	150	160	180	200	225	250	300
Chimney height 4xR10 [m]	4,93	4,94	4,95	4,96	4,98	5,00	5,03	5,07	5,12
An additional pipe lengthens the chimney by 0.93 [m]									



STEEL		PRICES OF COMPONENTS DEPENDING ON MATERIAL THICKNESS AND BRAND
0.5mm	1.4301	Catalog price
0.6mm	1.4301	Catalog price + 15%
0.5mm	1.4404	Catalog price + 20%
0.6mm	1.4404	Catalog price + 30%
With sealing	1.4301	Catalog price + material thickness surcharge + 10%

ELEMENTS		INDEX		PRICE [EUR]											
DIAMETER [mm]		80/90	100	110	120	130	140	150	160	180	200	225	250	300	
Pipe L=1000 mm	KS-R10	24	26	28	31	33	35	37	39	43	47	53	58	68	
Pipe L=500 mm	KS-R05	15	16	17	18	20	20	22	23	25	27	30	33	38	
Pipe L=250 mm	KS-R02	10	11	12	12	13	13	14	14	15	17	18	20	23	
Pipe with stabilizer L=1000 mm	KS-RU10	28	30	32	34	36	38	40	42	46	51	56	61	72	
Pipe with stabilizer L=500 mm	KS-RU05	18	19	20	22	23	24	25	26	28	30	33	35	41	
Pipe with stabilizer L=250 mm	KS-RU02	13	14	15	15	16	16	17	17	18	20	21	23	25	
Telescopic pipe L=1000 mm	KS-RT10	39	42	44	47	50	52	54	57	62	67	73	79	92	
Telescopic pipe L=500 mm	KS-RT05	30	31	33	35	36	37	39	40	43	46	50	54	61	
Pipe with connection 1/2" L=1000 mm	KS-RKC10	39	41	43	45	47	49	51	53	58	62	67	73	83	
Pipe with connection 1/2" L=500 mm	KS-RKC05	29	31	32	33	34	35	36	37	39	41	44	47	52	
Pipe with connection M64x4 L=1000 mm	KS-RKM10	70	72	74	76	78	80	82	84	88	93	98	103	114	
Pipe with connection M64x4 L=500 mm	KS-RKM05	60	62	63	64	65	66	67	68	70	73	75	78	83	
Tee-pipe 45°	KS-TR45	38	40	41	43	46	48	50	53	58	64	72	80	98	
Tee-pipe 90°	KS-TR90	24	25	26	29	30	32	33	35	44	48	49	55	67	
Cleanout tee with cover	KS-WTD	33	35	36	38	39	41	43	45	48	53	58	63	75	
Reinigungselement	KS-W	36	37	38	39	41	42	42	43	45	46	48	50	55	
Cleanout with condenser	KS-W0	47	48	49	50	52	53	53	54	55	57	59	61	66	
Tee-pipe with opposite cleanout	KSD-TR90-W	-	-	50	54	57	60	64	68	78	85	84	88	98	
Tee-pipe with opposite cleanout and condensate collector	KSD-TR90-W0	-	-	62	65	69	73	76	80	86	92	99	107	121	
Condensate collector	KS-O	16	17	17	18	19	19	20	21	22	23	25	27	31	
Awning	KS-D	18	19	19	20	20	20	20	21	22	23	23	24	26	
Awning with 2 rings	KS-DP2	-	-	-	37	37	38	39	40	48	50	56	60	75	
Awning with 3 rings	KS-DP3	-	-	-	46	45	48	49	50	59	62	69	74	93	
Awning with 4 rings	KS-DP4	-	-	-	55	55	57	58	60	70	74	82	89	111	
Spark arrester	KS-L	32	33	36	37	38	39	40	41	48	50	55	57	69	
RING - Spark arrester	KS-LR	-	-	-	66	67	70	72	74	84	89	97	105	125	
Cylindrical deflector	KS-DR	-	45	46	48	50	52	54	55	59	63	68	73	82	
H-shaped deflector	KS-DRH	53	54	56	59	60	62	64	65	-	-	-	-	-	
H-shaped deflector with inspection opening	KS-DRHR	-	65	67	70	71	73	75	76	-	-	-	-	-	
Cylindrical deflector with plate	KS-DRP	-	53	56	58	61	64	66	69	75	80	87	108	127	
H-shaped deflector with plate	KS-DRHP	-	62	64	68	70	72	77	79	91	103	118	131	162	
H-shaped deflector with plate and cleanout	KS-DRHRP	-	71	73	78	80	82	87	89	102	114	130	139	172	
Pass-through	KS-PR	16	16	17	18	18	18	20	20	22	23	25	27	32	
Elbow 30°	KS-K30	15	15	16	16	17	17	18	19	20	22	24	27	31	
Elbow 45°	KS-K45	15	15	16	17	17	18	19	20	21	23	26	29	34	
Elbow 60°	KS-K60	19	20	21	21	22	23	24	25	27	29	32	35	42	
Elbow 90°	KS-K90	20	21	21	22	23	24	25	27	29	31	36	38	48	
Adjustable elbow 0° - 90°	KS-KN90	30	31	32	33	33	34	36	37	40	42	46	50	58	
Elbow 90° with cleanout	KS-KW90	30	31	32	33	34	35	37	38	41	44	49	53	64	
Damper	KS-S	34	34	35	36	37	37	38	39	41	43	46	49	55	
Conical reduction	KS-RS	23	24	24	25	26	26	26	27	31	32	33	38	45	
Stamped reduction	KS-RR	-	11	11	11	12	12	12	13	14	15	15	16	18	

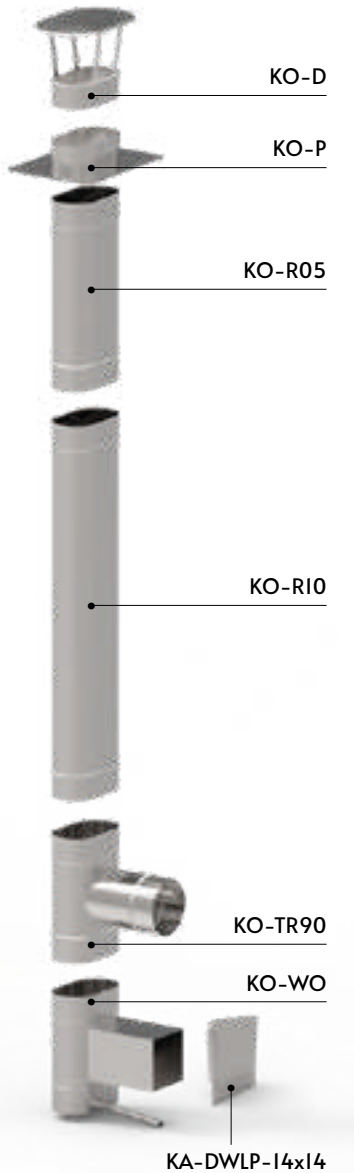
ELEMENTS		INDEX		PRICE [EUR]													
DIAMETER [mm]		80	90	100	110	120	125	130	135	140	150	160	180	200	225	250	300
Uniflex flexible pipe	KS-RUX	13	15	16	18	19	20	21	21	22	24	25	28	31	35	39	46
Uniflex top adapter	KS-ZGUX	11	12	12	12	13	13	13	13	13	14	14	15	18	17	18	21
Uniflex middle adapter	KS-ZPUX	11	12	12	12	13	13	13	13	13	14	14	15	18	17	18	21
Uniflex bottom adapter	KS-ZDUX	11	12	12	12	13	13	13	13	13	14	14	15	18	17	18	21

ELEMENTS		INDEX		PRICE [EUR]							
DIMENSIONS [mm]		140x140	140x270	140x350	200x200	270x270	400x400	400x500	400x600	500x500	500x600
Awning - NAPOLEON	KS-DN	57	64	74	69	83	111	124	132	134	146
Awning - NAPOLEON (ver. 2)	KS-DN2	32	35	42	40	49	70	79	84	86	95
Awning - NAPOLEON (ver. 3)	KS-DN3	24	27	34	32	42	62	71	75	79	86

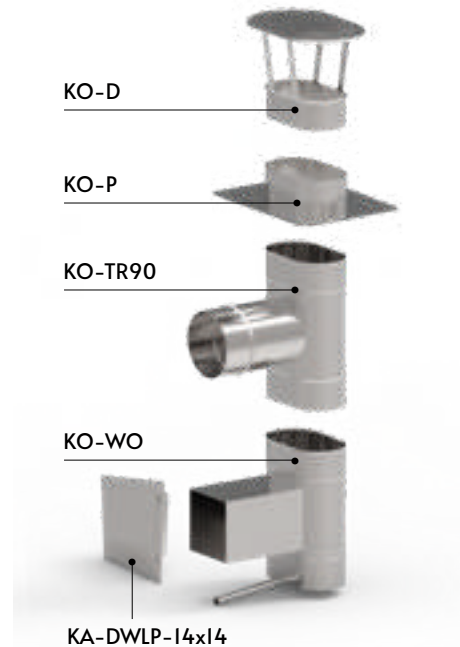
## SYSTEM KOMINUS KO

### System of oval heat resistant single-wall chimney liner

#### TYPICAL CHIMNEY CONSTRUCTION



Diameter	120x180	110x200	110x210	110x230	120x225	120x240
Number of length elements R10	EUR / set					
4xR10	446	459	470	481	485	500
5xR10	497	512	525	538	543	560
6xR10	548	565	580	595	601	620
7xR10	599	618	635	652	659	680
8xR10	650	671	690	709	717	740
9xR10	701	724	745	766	775	800
10xR10	752	777	800	823	833	860
11xR10	803	830	855	880	891	920
12xR10	854	883	910	937	949	980
Calculation without elements R10	211	215	217	219	219	225



STEEL		PRICES OF COMPONENTS DEPENDING ON MATERIAL THICKNESS AND BRAND
0.6mm	1.4301	Catalog price
0.6mm	1.4404	Catalog price + material thickness surcharge + 10%

ELEMENTS	INDEX	PRICE [EUR]												
		110x185	110x200	110x210	110x230	120x180	120x195	120x225	120x240	130x200	130x220	130x240	130x250	140x250
AxB [mm]		160	180	180	180	160	180	180	200	180	200	200	225	225
Pipe L=1000 mm	KO-R10	50	53	55	57	51	55	58	60	57	60	63	64	65
Pipe L=500 mm	KO-R05	30	32	33	34	31	33	34	35	34	36	37	38	38
Pipe L=250 mm	KO-R02	20	21	21	22	20	22	22	23	23	23	24	24	25
Elbow 90°	KO-K90	40	42	43	44	40	43	44	46	44	46	48	49	49
Elbow 45°	KO-K45	27	28	29	30	27	29	30	31	30	31	32	33	33
Oval conical reduction	KO-RS	43	45	45	46	43	46	46	48	47	48	49	51	51
Cleanout tee with cover (version 1)	KO-WTD(W1)	65	69	69	70	65	72	70	74	72	76	77	81	81
Cleanout tee with cover (version 1)	KO-WTD(W2)	65	66	66	67	65	68	67	68	68	69	70	70	71
Condensate collector	KO-O	24	25	25	25	25	26	26	26	26	27	27	28	28
Cleanout (version 1)	KO-W(W1)	58	59	60	61	58	61	61	62	62	63	64	64	65
Cleanout (version 2)	KO-W(W2)	61	62	63	63	61	65	63	64	66	67	68	68	69
Cleanout with condensate collector (version 1)	KO-WO(W1)	70	72	72	73	71	73	73	74	74	75	77	77	78
Cleanout with condensate collector (version 2)	KO-WO(W2)	73	74	75	76	73	78	76	77	78	80	81	81	82
Tee-pipe 90° (version 1)	KO-TR90(W1)	55	58	58	59	55	60	59	62	60	63	64	68	68
Tee-pipe 90° (version 2)	KO-TR90(W2)	64	66	66	67	64	69	68	70	69	72	73	75	75
Tee-pipe 45° (version 1)	KO-TR45(W1)	70	75	76	77	70	79	77	83	79	85	86	93	93
Tee-pipe 45° (version 2)	KO-TR45(W2)	73	76	77	78	73	79	78	82	80	85	86	90	91
Tee-pipe with opposite cleanout	KO-TR90-W	98	101	102	103	98	106	103	106	106	110	111	115	115
Tee-pipe with opposite cleanout and condensate collector	KO-TR90-WO	110	114	114	115	110	118	115	119	119	123	124	128	129
Awning	KO-D	25	25	26	26	25	25	26	27	26	27	27	28	28
Oval rainshield	KO-OPD	21	21	21	22	22	23	23	24	22	22	23	25	26
Oval pass-through	KO-P	27	27	28	28	27	28	28	29	28	29	29	30	30

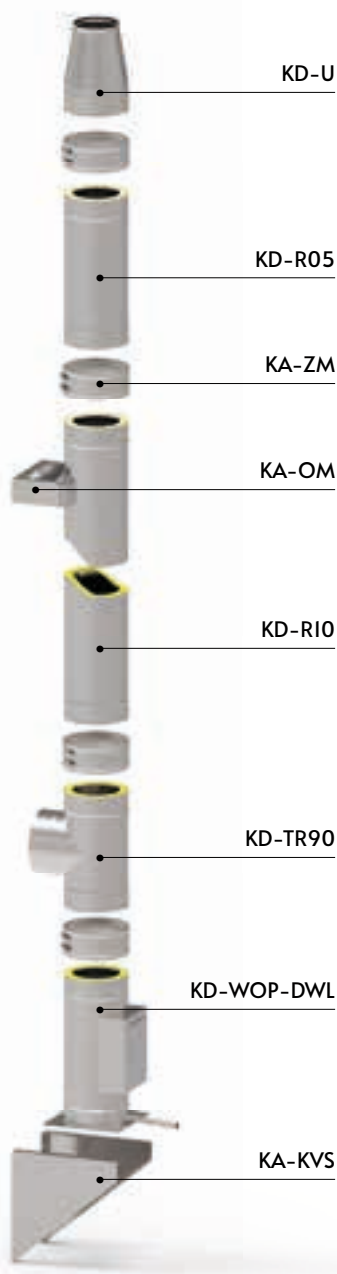


## SYSTEM KOMINUS KD

### Insulated stainless steel chimney liners system

#### Insulation of 30mm

#### TYPICAL CHIMNEY CONSTRUCTION



Inside diameter	130	150	160	180	200	250	300
Outside diameter	190	210	220	240	260	310	360
Number of length-elements R10	EUR / set						
4xR10	926	1137	1173	1251	1313	1350	1490
5xR10	1027	1281	1323	1413	1486	1502	1661
6xR10	1144	1442	1490	1593	1677	1693	1872
7xR10	1245	1586	1640	1755	1850	1845	2043
8xR10	1362	1747	1807	1935	2041	2036	2254
9xR10	1463	1891	1957	2097	2214	2188	2425
10xR10	1580	2052	2124	2277	2405	2379	2636
11xR10	1681	2196	2274	2439	2578	2531	2807
12xR10	1798	2357	2441	2619	2769	2722	3018
Calculation without elements R10	450	432	443	465	477	512	591

Diameter	130	150	160	180	200	250	300
Chimney height 4xR10 [m]	5,16	5,19	5,20	5,22	5,24	5,29	5,34
An additional pipe lengthens the chimney by 0.93 [m]							



STEEL		PRICES OF COMPONENTS DEPENDING ON MATERIAL THICKNESS AND BRAND
0.5mm	1.4301	Catalog price
0.6mm	1.4301	Catalog price + 10%
0.5mm	1.4404	Catalog price + 15%
0.6mm	1.4404	Catalog price + 20%
With sealing	1.4301	Catalog price + material thickness surcharge + 3%

ELEMENTS	INDEX	PRICE [EUR]											
		DIAMETER [mm]	110	120	130	140	150	160	180	200	225	250	300
Insulated pipe L=1000 mm	KD-R10		75	78	81	85	124	130	141	151	168	127	145
Insulated pipe L=500 mm	KD-R05		48	49	51	53	55	56	60	64	69	74	83
Insulated pipe L=250 mm	KD-R02		34	35	36	37	38	39	41	43	45	48	53
Insulated pipe with connection 1/2" L=1000 mm	KD-RKC10		89	91	95	98	138	143	155	164	181	140	159
Insulated pipe with connection 1/2" L=500 mm	KD-RKC05		61	62	64	66	68	70	73	78	82	87	97
Insulated pipe with connection 1/2" L=250 mm	KD-RKC02		48	48	49	50	51	52	54	56	59	61	66
Insulated pipe with connection M64x4 L=1000 mm	KD-RKM10		117	119	123	127	166	171	183	192	210	168	187
Insulated pipe with connection M64x4 L=500 mm	KD-RKM05		89	90	92	94	96	98	102	106	110	115	125
Insulated pipe with connection M64x4 L=250 mm	KD-RKM02		76	77	78	78	79	80	82	84	87	90	94
Insulated pipe with condensate collector L=1000 mm	KD-R10-O		87	89	93	97	136	142	153	163	181	140	159
Insulated pipe with condensate collector L=500 mm	KD-R05-O		59	60	62	64	66	68	72	76	82	87	97
Insulated pipe with condensate collector L=250 mm	KD-R02-O		45	46	48	48	50	51	53	55	58	61	66
Insulated pipe with trimming L=1000 mm	KD-R010		83	85	89	93	97	101	110	118	128	140	161
Insulated pipe with trimming L=500 mm	KD-R005		55	56	58	60	63	65	70	75	80	87	99
Insulated pipe with trimming L=250 mm	KD-R002		50	50	52	54	56	58	62	66	71	77	88
Telescopic pipe L=1000 mm	KD-RT10		108	111	115	120	124	128	137	146	157	168	190
Telescopic pipe L=500 mm	KD-RT05		81	83	86	88	91	93	98	104	110	117	129
Telescopic pipe L=250 mm	KD-RT02		62	63	64	66	67	68	70	73	76	80	86
Insulated tee-pipe 90°	KD-TR90		83	84	88	92	97	104	114	116	117	130	154
Insulated tee-pipe 45°	KD-TR45		108	111	115	120	126	131	142	153	166	186	222
Cleanout tee with cover	KD-WTD		103	105	109	114	119	128	138	142	145	160	188
Insulated cleanout with access door	KD-W-DWL		140	141	143	145	147	149	153	158	162	168	178
Insulated cleanout with condensate collector and access door	KD-WOP-DWL		164	165	168	170	175	178	185	190	197	207	224
Insulated cleanout with condensate collector and access door	KD-WO-DWL		149	150	153	155	158	161	166	171	177	184	198
Tee-pipe with opposite cleanout	KDD-TR90-W		168	172	175	179	183	190	195	200	206	218	231
Tee-pipe with opposite cleanout, condensate collector, plate and access door	KDD-TR90-WO		195	198	203	207	211	220	227	234	244	258	278
Insulated condensate collector	KD-O		39	39	40	41	42	43	45	47	49	52	59
Insulated condensate collector with plate	KD-OP		48	50	52	53	64	65	70	64	68	75	86
Insulated mouth-end	KD-U		42	43	43	45	46	47	50	53	55	60	68
Awning (version 1)	KD-D(W1)		19	20	20	20	20	21	22	23	23	24	26
Awning (version 2)	KD-D(W2)		34	34	35	36	37	38	40	42	44	47	53
Awning (version 3)	KD-D(W3)		18	19	19	19	20	20	20	21	21	22	23
Insulated elbow 30°	KD-K30		37	38	39	40	42	43	46	49	53	57	66
Insulated elbow 45°	KD-K45		39	39	40	42	44	45	49	52	56	62	71
Insulated elbow 60°	KD-K60		49	50	51	53	55	57	61	64	70	76	85
Insulated elbow 90°	KD-K90		52	53	55	57	60	62	67	72	78	86	103
Elbow 90° with cleanout	KD-KW90		68	68	70	73	76	78	84	89	96	105	123
Insulated damper	KD-S		69	70	71	72	73	74	78	82	85	90	99
Conical reduction	KD-RS		61	61	62	64	65	67	70	73	78	84	98
Relieving support	KD-KO		59	59	61	63	64	66	71	76	81	88	101
Insulated roof passage	KD-PD		55	56	57	59	60	62	66	70	75	80	92
Top completion of insulation	KD-ZIG		15	15	15	15	16	16	17	18	19	20	23
Bottom completion of insulation	KD-ZID		14	14	15	15	15	16	17	17	18	20	22



## SYSTEM KOMINUS KN

### Rotational chimney pot system

#### Price list

ELEMENTS	INDEX	PRICE [EUR]										
		110	120	130	140	150	160	180	200	225	250	300
Rotomax 1 - INSIDE with square base	KN-I-R1P	78	80	84	86	88	90	92	107	122	141	167
Rotomax 1 - INSIDE - with pipe base	KN-I-R1R	70	72	76	78	79	80	86	96	103	118	128
Rotomax 2 - INSIDE with square base	KN-I-R2P	84	87	92	93	96	98	100	117	134	155	183
Rotomax 2 - INSIDE - with pipe base	KN-I-R2R	77	78	83	85	87	88	94	105	112	129	139
Rotomax - Kupfer 2 with square base	KN-CU-R2P	100	101	110	111	115	116	119	135	152	183	203
Rotomax - Kupfer 2 with pipe base	KN-CU-R2R	91	93	101	103	105	107	112	127	133	162	175
Rotomax 3 - Fenix - INSIDE - with square base	KN-I-R3P	87	89	93	95	97	99	102	118	135	156	185
Rotomax 3 - Fenix - INSIDE - with pipe base	KN-I-R3R	79	80	80	85	86	88	89	95	106	113	130
Turbomax 1 with square base	KN-T1P	81	82	83	86	88	90	97	101	160	176	190
Turbomax 1 with pipe base	KN-T1R	75	76	76	80	81	83	90	93	145	149	159
Turbomax 2 with square base	KN-T2P	73	74	75	76	77	81	91	95	144	161	174
Turbomax 2 with pipe base	KN-T2R	65	66	66	67	68	72	81	83	134	145	155
Turbomax 3 with square base	KN-T3P	85	86	88	90	91	93	106	110	166	184	202
Turbomax 3 with pipe base	KN-T3R	77	79	80	81	83	84	96	98	148	165	180
Turbowind with square base	KN-TW3P	128	130	133	135	140	141	156	163	187	208	239
Turbowind with pipe base	KN-TW3R	118	120	123	125	128	130	144	150	169	170	194
POWERWIND with pipe base	KN-PW-R	93	95	96	99	100	103	108	112	159	164	173
POWERWIND with square base	KN-PW-P	100	102	103	106	108	111	118	123	173	180	193



Rotomax 1 - INSIDE  
KN-I-R1P



Rotomax 2 - INSIDE  
KN-I-R2P



Rotomax 3 - FENIX INSIDE  
KN-I-R3P



Turbomax 1  
KN-T1P



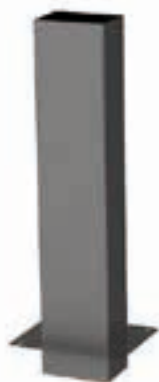
Turbomax 1  
KN-T1R

ELEMENTS	INDEX	PRICE [EUR]					
		AxB [mm]	140x140	140x200	140x250	140x270	200x200
Rectangular chimney extension H=1000mm	KN-PKP10	51	60	67	70	68	88
Rectangular chimney extension H=750mm	KN-PKP07	41	48	53	56	54	69
Rectangular chimney extension H=500mm	KN-PKP05	32	36	40	42	41	51
Rectangular chimney extension with plate H=1000mm	KN-PKP10	62	72	80	84	83	109
Rectangular chimney extension with plate H=750mm	KN-PKP07	53	60	67	70	70	91
Rectangular chimney extension with plate H=500mm	KN-PKP05	43	49	54	57	56	73
Rectangular awning	KND-D4	27	29	30	30	30	38

ELEMENTS	INDEX	PRICE [EUR]				
		DIAMETER [mm]	130	150	160	180
Round chimney extension H=1000mm	KN-PK010	44	49	51	56	61
Round chimney extension H=500mm	KN-PK005	30	33	34	37	40

ELEMENTS	INDEX	PRICE [EUR]				
		DIAMETER [mm]	130/190	150/210	160/220	180/240
Insulated round chimney extension H=1000mm	KN-PKIO10	117	126	131	141	151
Insulated round chimney extension H=500mm	KN-PKIO05	79	85	87	93	99

ELEMENTS	INDEX	PRICE [EUR]					
		AxB [mm]	120x180	110x210	120x210	110x230	120x225
Insulated oval chimney extension H=1000mm	KN-PKIO10	160	172	172	177	173	182
Insulated oval chimney extension H=500mm	KN-PKIO05	111	117	118	120	118	125



Rectangular chimney extension  
KN-PKP05



Round chimney extension  
KN-PK005



Insulated oval chimney extension  
KN-PKIO05



Insulated round chimney extension  
KN-PKIO05

## SYSTEM KOMINUS KA Chimney accessories

### Price list

ELEMENTS	INDEX	PRICE [EUR]																	
		DIAMETER [mm]																	
		60-110	120-140	150-160	180-200	210-220	225	240	250	260	270-290	300	310	330-360	380-410	450-460	500-510	550-560	600
Roof passage 0-5°	KA-P5	51	54	56	62	64	65	67	69	70	73	77	79	87	97	107	118	128	125
Angular roof passage 5-20°	KA-P20	56	60	62	68	71	72	75	75	78	83	87	89	100	112	125	134	153	166
Angular roof passage 20-35°	KA-P35	63	69	73	81	111	118	124	95	96	101	107	110	125	143	163	183	204	290
Angular roof passage 35-50°	KA-P50	76	83	89	101	145	110	116	119	123	142	91	145	165	191	218	265	298	330
Roof passage with lead apron flashing 0-5°	KA-PP5	68	75	79	89	94	96	100	103	105	112	119	122	138	157	176	198	219	228
Roof passage with lead apron flashing 5-20°	KA-PP20	116	125	132	148	154	157	163	166	170	181	190	195	220	246	275	300	332	364
Roof passage with lead apron flashing 20-35°	KA-PP35	133	146	155	175	186	188	196	203	208	220	231	238	270	306	345	385	395	466
Roof passage with lead apron flashing 35-50°	KA-PP50	163	183	199	225	240	246	257	264	274	302	309	320	364	418	475	552	559	678
Rainshield	KA-OPD	16	18	19	23	24	26	27	27	29	31	33	34	40	47	55	62	70	77
Chimney rosette	KA-RZ	23	26	28	33	35	36	38	39	42	45	48	49	57	66	78	91	103	113
Chimney smooth rosette	KA-RZG	13	15	16	18	19	19	20	21	22	23	24	25	29	33	38	44	50	55
Fixing clamp L = 100 mm	KA-OM	14	14	15	16	17	17	18	18	18	20	20	39	40	43	45	46	54	61
Adjustable fixing clamp 50 - 100 mm	KA-ON10	32	33	33	35	35	36	36	38	38	40	41	48	52	55	58	61	69	76
Adjustable fixing clamp 100 - 200 mm	KA-ON20	35	36	37	38	38	39	40	41	41	43	45	55	56	59	61	65	73	80
Adjustable fixing clamp 200 - 350 mm	KA-ON35	40	41	42	43	44	46	46	47	46	49	51	62	64	67	69	73	81	88
Adjustable fixing clamp 350 - 500 mm	KA-ON50	48	49	50	51	52	52	54	54	54	56	58	73	75	78	80	89	102	112
Supporting construction	KA-KVS	60	60	60	60	74	74	74	74	74	74	93	93	93	125	122	154	154	171
Adjustable supporting construction 50-100 mm	KA-KV10	74	74	74	93	93	93	93	93	93	122	122	122	122	154	154	171	207	207
Adjustable supporting construction 100-200 mm	KA-KV20	93	93	93	122	122	122	122	122	122	154	154	154	154	171	207	207	235	269
Adjustable supporting construction 200-350 mm	KA-KV35	122	154	154	154	154	154	171	171	171	207	207	207	207	235	269	298	298	298
Centering clamp	KA-OC	9	10	10	11	11	12	12	13	13	13	14	15	17	19	21	23	25	25
Clamp	KA-ZM	17	18	19	20	20	21	21	21	22	22	24	25	26	28	29	31	32	35
Strengthened clamp	KA-ZMO	45	47	49	52	63	54	55	56	57	58	61	62	66	70	74	78	82	86
Strengthened clamp	KA-ZMW	35	38	40	43	53	45	46	47	48	49	52	53	57	60	65	69	73	77

ELEMENTS	INDEX	PRICE [EUR]													
		DIAMETER [mm]													
		60	80	100	110	120	130	140	150	160	180	200	225	250	300
Acid-resistant gasket	KA-U	3	3	3	4	4	4	4	5	5	5	5	6	6	8
Insulated roof passage for ceramic chimneys	KA-PDC	-	-	-	-	-	-	66	-	70	74	78	-	89	100
Adjustable roof passage 0-90°	KA-PN90	-	-	-	46	48	49	50	52	53	56	60	64	-	-

ELEMENTS	INDEX	PRICE [EUR]		
		THICKNESS [mm]		
		0,5	0,8	1
Cleanout door 140x140 mm	KA-DWL-14x14	33	-	-
Cleanout door with divider 140x140 mm	KA-DWLP-14x14	43	-	-
Cleanout door with divider 140x210 mm	KA-DWLP-14x21	43	-	-
Cleanout door 130x260 mm (Ausführung 1)	KA-DWL-13x26(W1)	71	-	-
Cleanout door 130x260 mm (Ausführung 2)	KA-DWL-13x26(W2)	72	-	-
Cleanout door extension 140x140 mm L=1000 mm	KA-PW-DWL-14x14	48	70	85
Cleanout door extension 140x210 mm L=1000 mm	KA-PW-DWL-14x21	52	77	93



Fixing clamp  
KA-OM



Angular roof passage 5-20°  
KA-P20

## SYSTEM KOMINUS KA Draught regulators

### Price list

ELEMENTS	INDEX	DIMENSIONS [mm]	PRICE [EUR]
Round draught regulator W1	KA-RCK10(W1)	Ø150	60
Draught regulator on the pipe W2	KA-RCK10(W2)	Ø120 - Ø200	76
Draught regulator on the pipe with a rod W2	KA-RCK10(W2)+PRET	Ø120 - Ø200	85
Draught regulator with a frame W3	KA-RCK10(W3)	140X140	60
Draught regulator with an explosion-proof flap W4	KA-RCK10(W4)	Ø250	200
Draught regulator with a frame W5	KA-RCK10(W5)	140X140	88
Draught regulator with a frame for clenaout W6	KA-RCK10(W6)	140X140	107



KA-RCK10(W1)



KA-RCK10(W2)



KA-RCK10(W3)



KA-RCK10(W4)



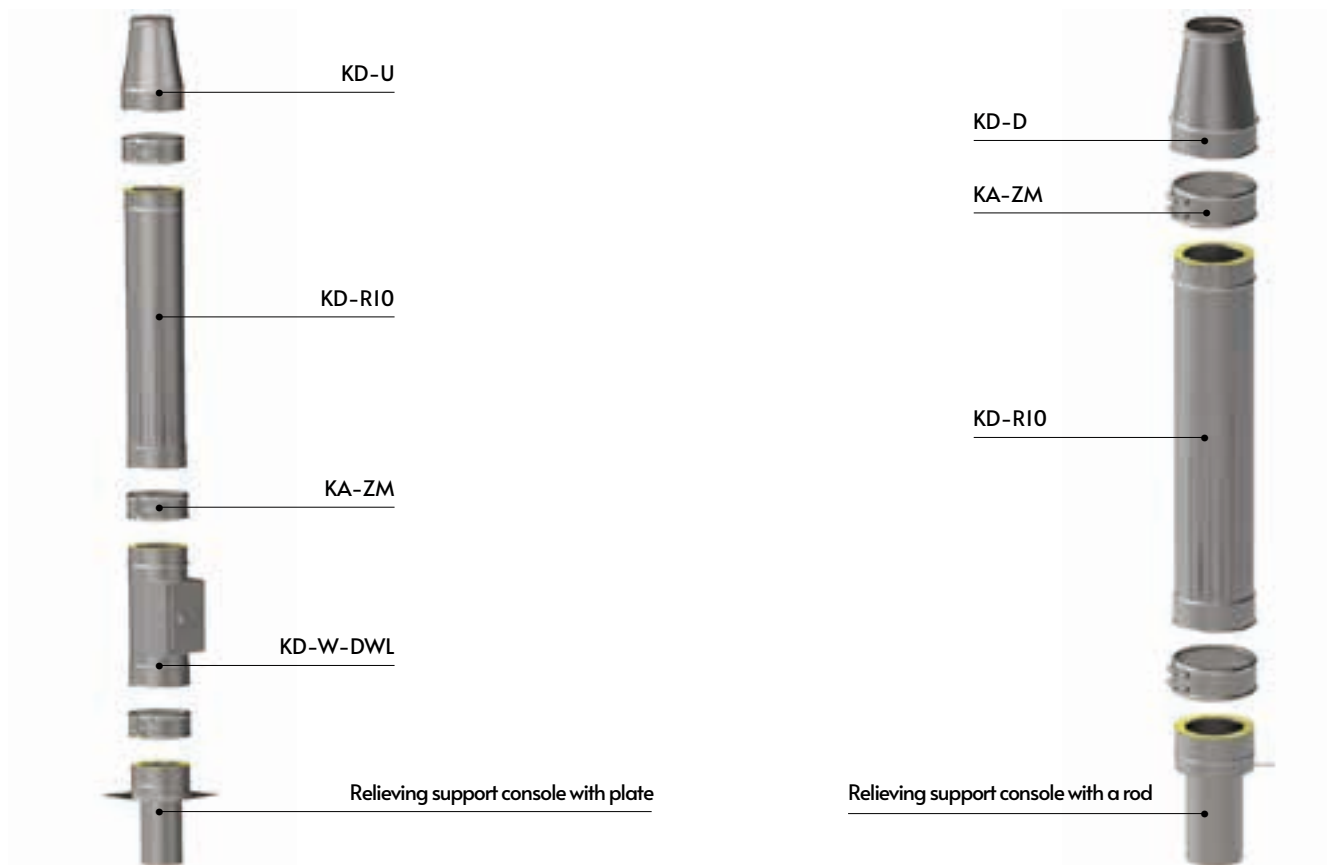
KA-RCK10(W5)



KA-RCK10(W6)

## Chimney extension

Calculation



Diameter	130	150	180
Version	EUR / set		
With plate	379	432	464
With a rod	207	255	279

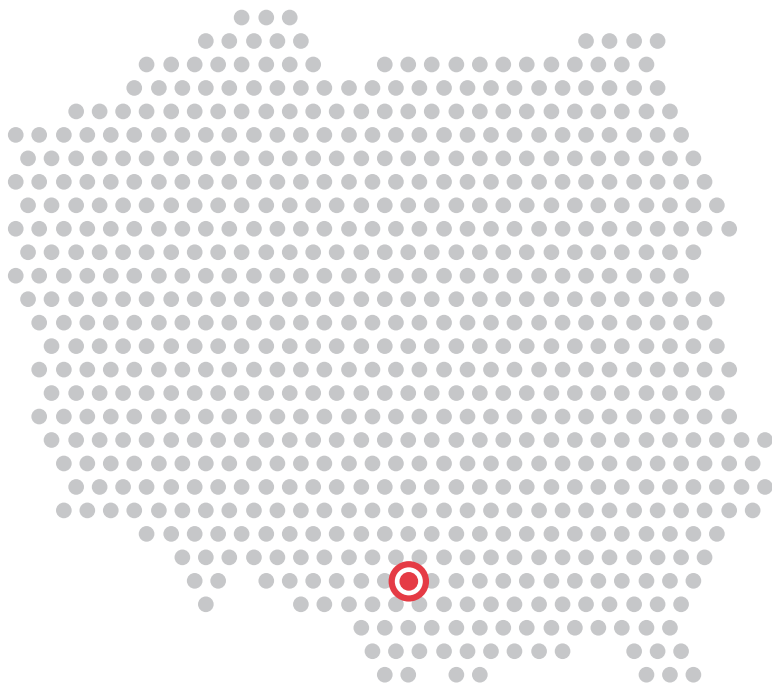
ELEMENTS	PRICE [EUR]		
DIAMETER [mm]	130	150	180
Relieving support console with plate	52	55	60
Relieving support console with a rod	43	45	48



Relieving support console with plate



Relieving support console with a rod



**Kominus Polska Sp. z o.o.**


Address:

Łęzkowice 112

32-015 Kłaj

POLAND

**Contact Us**

 [biuro@kominus.com.pl](mailto:biuro@kominus.com.pl)

 + 48 12 284 27 73

 [www.kominus.com.pl](http://www.kominus.com.pl)

